

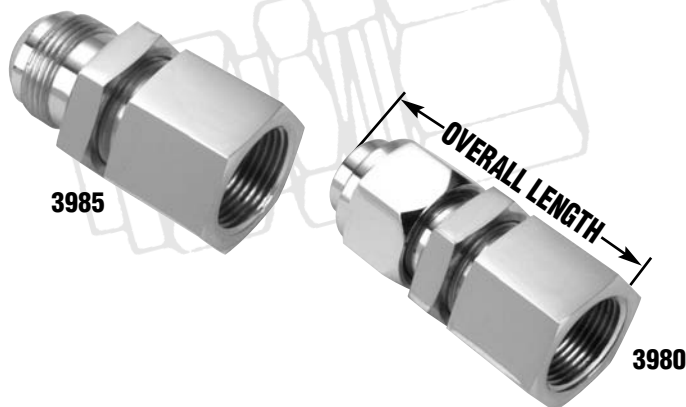
# 37° FLARE TUBE FITTINGS

## T A P E R E D P I P E T H R E A D

### 3985 / 3980 • Female Bulkhead

| Body Only Part No. | Complete Assem. Part No. | Tube O.D. | Female Pipe Thread | Bulkhead Hole Dia.                | Overall Length                    |
|--------------------|--------------------------|-----------|--------------------|-----------------------------------|-----------------------------------|
| 3985-4-2           | 3980-4-2                 | 1/4"      | 1/8"               | 15/32"                            | 2 <sup>9</sup> / <sub>32</sub> "  |
| 3985-4-4           | 3980-4-4                 | 1/4"      | 1/4"               | 15/32"                            | 2 <sup>15</sup> / <sub>32</sub> " |
| 3985-5-2           | 3980-5-2                 | 5/16"     | 1/8"               | 17/32"                            | 2 <sup>5</sup> / <sub>16</sub> "  |
| 3985-6-4           | 3980-6-4                 | 3/8"      | 1/4"               | 19/32"                            | 2 <sup>5</sup> / <sub>8</sub> "   |
| 3985-6-6           | 3980-6-6                 | 3/8"      | 3/8"               | 19/32"                            | 2 <sup>23</sup> / <sub>32</sub> " |
| 3985-8-6           | 3980-8-6                 | 1/2"      | 3/8"               | 25/32"                            | 2 <sup>29</sup> / <sub>32</sub> " |
| 3985-8-8           | 3980-8-8                 | 1/2"      | 1/2"               | 25/32"                            | 3 <sup>1</sup> / <sub>8</sub> "   |
| 3985-10-8          | 3980-10-8                | 5/8"      | 1/2"               | 29/32"                            | 3 <sup>11</sup> / <sub>32</sub> " |
| 3985-12-12         | 3980-12-12               | 3/4"      | 3/4"               | 1 <sup>3</sup> / <sub>32</sub> "  | 3 <sup>19</sup> / <sub>32</sub> " |
| 3985-14-12         | 3980-14-12               | 7/8"      | 3/4"               | 1 <sup>7</sup> / <sub>32</sub> "  | 3 <sup>21</sup> / <sub>32</sub> " |
| 3985-16-16         | 3980-16-16               | 1"        | 1"                 | 1 <sup>11</sup> / <sub>32</sub> " | 3 <sup>7</sup> / <sub>8</sub> "   |
| 3985-20-20         | 3980-20-20               | 1 1/4"    | 1 1/4"             | 2 <sup>1</sup> / <sub>32</sub> "  | 4 <sup>1</sup> / <sub>8</sub> "   |
| 3985-24-24         | 3980-24-24               | 1 1/2"    | 1 1/2"             | 2 <sup>29</sup> / <sub>32</sub> " | 4 <sup>11</sup> / <sub>32</sub> " |
| 3985-32-32         | 3980-32-32               | 2"        | 2"                 | 2 <sup>17</sup> / <sub>32</sub> " | 4 <sup>27</sup> / <sub>32</sub> " |

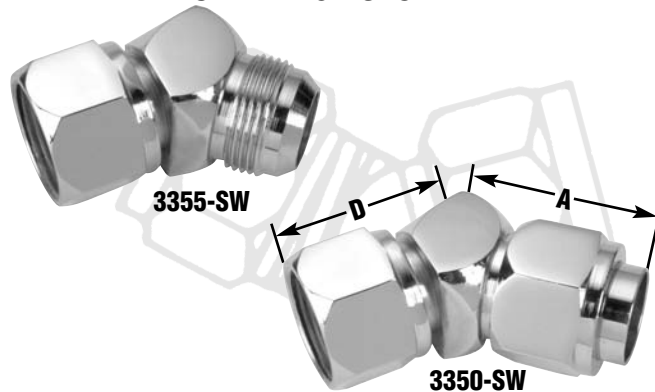
### 3985 / 3980 FEMALE BULKHEAD FLARE TUBE END-FEMALE PIPE END



### 3355-SW / 3350-SW • Swivel Nut 45° Elbow

| Body Only Part No. | Complete Assembly Part No. | Tube O.D. | "A" (Tube Leg)                    | "D" (Swivel Leg)                  |
|--------------------|----------------------------|-----------|-----------------------------------|-----------------------------------|
| 3355SW-4           | 3350SW-4                   | 1/4"      | 1 <sup>3</sup> / <sub>32</sub> "  | 1 <sup>5</sup> / <sub>16</sub> "  |
| 3355SW-5           | 3350SW-5                   | 5/16"     | 1 <sup>5</sup> / <sub>32</sub> "  | 1"                                |
| 3355SW-6           | 3350SW-6                   | 3/8"      | 1 <sup>9</sup> / <sub>32</sub> "  | 1 <sup>1</sup> / <sub>8</sub> "   |
| 3355SW-8           | 3350SW-8                   | 1/2"      | 1 <sup>1</sup> / <sub>2</sub> "   | 1 <sup>9</sup> / <sub>32</sub> "  |
| 3355SW-10          | 3350SW-10                  | 5/8"      | 1 <sup>23</sup> / <sub>32</sub> " | 1 <sup>7</sup> / <sub>16</sub> "  |
| 3355SW-12          | 3350SW-12                  | 3/4"      | 1 <sup>7</sup> / <sub>8</sub> "   | 1 <sup>1</sup> / <sub>2</sub> "   |
| 3355SW-14          | 3350SW-14                  | 7/8"      | 2 <sup>3</sup> / <sub>32</sub> "  | 1 <sup>5</sup> / <sub>8</sub> "   |
| 3355SW-16          | 3350SW-16                  | 1"        | 2 <sup>7</sup> / <sub>32</sub> "  | 1 <sup>3</sup> / <sub>4</sub> "   |
| 3355SW-20          | 3350SW-20                  | 1 1/4"    | 2 <sup>7</sup> / <sub>16</sub> "  | 2 <sup>1</sup> / <sub>32</sub> "  |
| 3355SW-24          | 3350SW-24                  | 1 1/2"    | 2 <sup>7</sup> / <sub>8</sub> "   | 2 <sup>1</sup> / <sub>4</sub> "   |
| 3355SW-32          | 3350SW-32                  | 2"        | 3 <sup>11</sup> / <sub>32</sub> " | 2 <sup>29</sup> / <sub>32</sub> " |

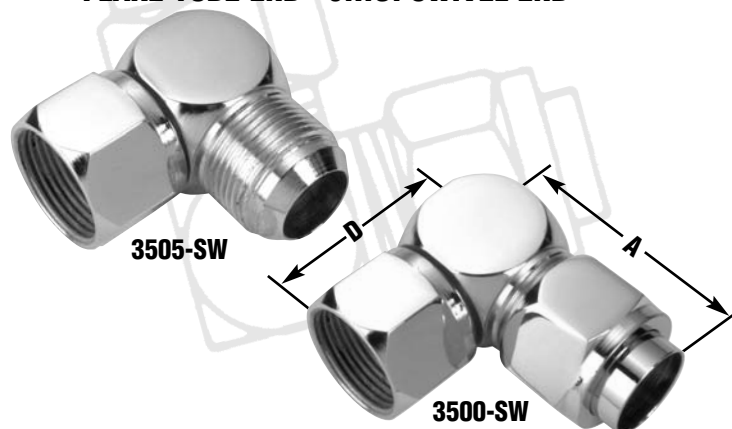
### 3355-SW / 3350-SW SWIVEL NUT 45° ELBOW FLARE TUBE END-J.I.C. SWIVEL END



### 3505-SW / 3500-SW • Swivel Nut Elbow

| Body Only Part No. | Complete Assembly Part No. | Tube O.D. | "A" (Tube Leg)                    | "D" (Swivel Leg)                  |
|--------------------|----------------------------|-----------|-----------------------------------|-----------------------------------|
| 3505SW-4           | 3500SW-4                   | 1/4"      | 1 <sup>9</sup> / <sub>32</sub> "  | 1"                                |
| 3505SW-5           | 3500SW-5                   | 5/16"     | 1 <sup>3</sup> / <sub>8</sub> "   | 1 <sup>1</sup> / <sub>16</sub> "  |
| 3505SW-6           | 3500SW-6                   | 3/8"      | 1 <sup>17</sup> / <sub>32</sub> " | 1 <sup>1</sup> / <sub>4</sub> "   |
| 3505SW-8           | 3500SW-8                   | 1/2"      | 1 <sup>25</sup> / <sub>32</sub> " | 1 <sup>3</sup> / <sub>8</sub> "   |
| 3505SW-10          | 3500SW-10                  | 5/8"      | 2 <sup>3</sup> / <sub>32</sub> "  | 1 <sup>5</sup> / <sub>8</sub> "   |
| 3505SW-12          | 3500SW-12                  | 3/4"      | 2 <sup>1</sup> / <sub>4</sub> "   | 1 <sup>3</sup> / <sub>4</sub> "   |
| 3505SW-14          | 3500SW-14                  | 7/8"      | 2 <sup>7</sup> / <sub>16</sub> "  | 1 <sup>25</sup> / <sub>32</sub> " |
| 3505SW-16          | 3500SW-16                  | 1"        | 2 <sup>19</sup> / <sub>32</sub> " | 2"                                |
| 3505SW-20          | 3500SW-20                  | 1 1/4"    | 2 <sup>29</sup> / <sub>32</sub> " | 2 <sup>5</sup> / <sub>16</sub> "  |
| 3505SW-24          | 3500SW-24                  | 1 1/2"    | 3 <sup>7</sup> / <sub>16</sub> "  | 2 <sup>19</sup> / <sub>32</sub> " |
| 3505SW-32          | 3500SW-32                  | 2"        | 4 <sup>3</sup> / <sub>16</sub> "  | 3 <sup>3</sup> / <sub>8</sub> "   |

### 3505-SW / 3500-SW SWIVEL NUT 90° ELBOW FLARE TUBE END - J.I.C. SWIVEL END



For body only, change the last number preceding the dash of part number from 0 to 5. Example: 3100-12-12 becomes 3105-12-12.